

VOYAGER STACKER



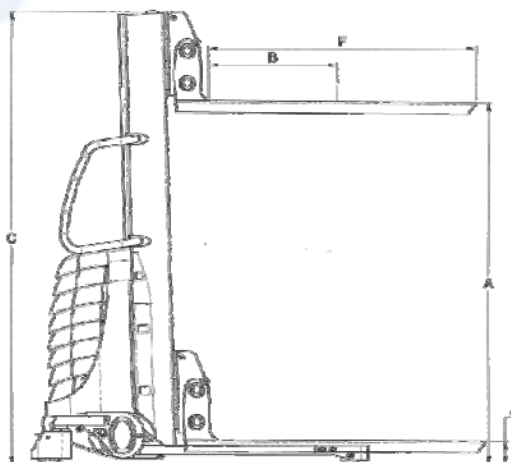
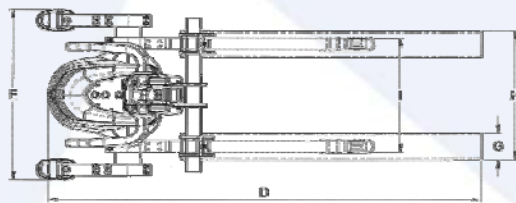
- Strong & dynamic award winning design
- Up to 30% lighter than standard steel stackers -lighter to push
- Wide straddle leg option for use with GKN pallets
- Adapt your Voyager for all applications with our wide range of attachments
- Anodised finish makes it ideal for use in food & pharmaceutical industries
- Weld free, light weight aluminium modular construction
- Single mast for better operator visibility
- Battery & internal charger included
- High tenacity lifting belt - non corrosive and very strong

Technical Features:

- Light weight aluminium frame is easy to manoeuvre and rust proof
- Unit is modular and therefore has a range of interchangeable attachments which enables one unit to suit multiple applications
- The overall flexibility of the product means that it can change along with the future requirements of any business
- Lifts to 1100mm or 1600mm
- Weld free construction leaves fewer points of possible weakness
- Electric and manual options available with two lift heights and varying capacities between 300Kg and 1000Kg
- Ergonomically designed handles to suit any user and allows greater manoeuvrability
- Patented 'C' shaped leg clamps makes it easy to adjust legs
- Polyurethane wheels, 2 braked swivel castors & toe guards
- Heavy duty swivelled castors ensure quiet, smooth operation

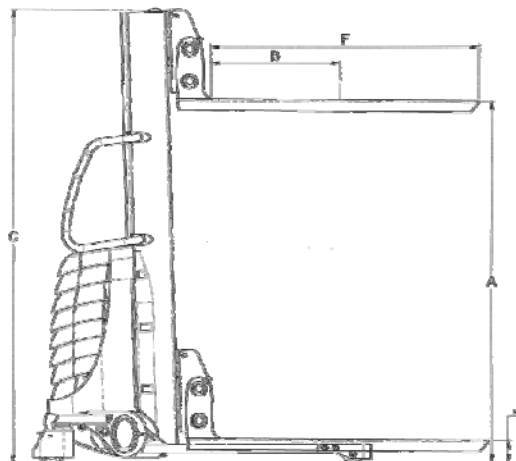
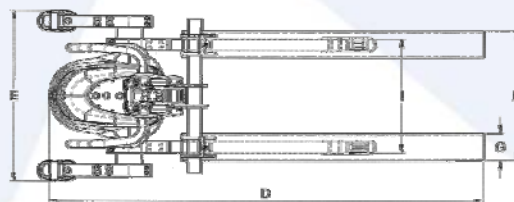
Wrapover leg Specification:

	Capacity Kg	Operation	Lift Height A	Load centre	O/A height Raised/lowered	O/A Length x Width	Fork Length x Width	Min. distance across forks	Max. distance across forks	Min. distance across legs	Max. distance across legs	Closed fork height	Approx. weight	Castor wheel dia and mat	Load wheel dia and mat
ST-VOY-300-1100-M	300	Manual	1100	275	1480/1620	1280 x 730	550 x 120	320	650	470	700	90	142	125 Poly	82x45 Poly
ST-VOY-300-1600-M	300	Manual	1600	275	1980/2120	1280 x 730	550 x 120	320	650	470	700	90	142	125 Poly	82x45 Poly
ST-VOY-500-1100-M	500	Manual	1100	550	1480/1620	1910 x 730	1140 x 120	320	650	470	700	90	159	125 Poly	82x45 Poly
ST-VOY-500-1100-E	500	Electric	1100	550	1480/1620	1930 x 730	1140 x 120	320	650	470	700	90	193	125 Poly	82x45 Poly
ST-VOY-500-1600-M	500	Manual	1600	550	1980/2120	1910 x 730	1140 x 120	320	650	470	700	90	167	125 Poly	82x45 Poly
ST-VOY-500-1600-E	500	Electric	1600	550	1980/2120	1930 x 730	1140 x 120	320	650	470	700	90	201	125 Poly	82x45 Poly
ST-VOY-750-1100-M	750	Manual	1100	550	1480/1620	1950 x 930	1160 x 150	400	750	520	900	90	219	125 Poly	82x45 Poly
ST-VOY-750-1100-E	750	Electric	1100	550	1480/1620	1970 x 930	1160 x 150	400	750	520	900	90	253	125 Poly	82x45 Poly
ST-VOY-750-1600-M	750	Manual	1600	550	1980/2120	1950 x 930	1160 x 150	400	750	520	900	90	234	125 Poly	82x45 Poly
ST-VOY-750-1600-E	750	Electric	1600	550	1980/2120	1970 x 930	1160 x 150	400	750	520	900	90	268	125 Poly	82x45 Poly
ST-VOY-1000-1100-M	1000	Manual	1100	550	1480/1620	1950 x 930	1160 x 150	400	750	520	900	90	219	125 Poly	82x45 Poly
ST-VOY-1000-1100-E	1000	Electric	1100	550	1480/1620	1970 x 930	1160 x 150	400	750	520	900	90	253	125 Poly	82x45 Poly
ST-VOY-1000-1600-M	1000	Manual	1600	550	1980/2120	1950 x 930	1160 x 150	400	750	520	900	90	234	125 Poly	82x45 Poly
ST-VOY-1000-1600-E	1000	Electric	1600	550	1980/2120	1970 x 930	1160 x 150	400	750	520	900	90	268	125 Poly	82x45 Poly



Wide Straddle Technical Specification:

	Capacity Kg	Operation	Lift Height A	Load centre	O/A height Raised/lowered	O/A Length x Width	Fork Length x Width	Min. distance across forks	Max. distance across forks	Min. distance across legs	Max. distance across legs	Closed fork height	Approx. weight	Castor wheel dia and mat	Load wheel dia and mat
ST-VOY-300-1100-M-STR	300	Manual	1100	275	1480/1620	1280 x 1630	550 x 120	320	650	470	1600	90	146	125 Poly	82x45 Poly
ST-VOY-300-1600-M-STR	300	Manual	1600	275	1980/2120	1280 x 1630	550 x 120	320	650	470	1600	90	154	125 Poly	82x45 Poly
ST-VOY-500-1100-M-STR	500	Manual	1100	550	1480/1620	1910 x 1630	1140 x 120	320	650	470	1600	90	159	125 Poly	82x45 Poly
ST-VOY-500-1100-E-STR	500	Electric	1100	550	1480/1620	1930 x 1630	1140 x 120	320	650	470	1600	90	193	125 Poly	82x45 Poly
ST-VOY-500-1600-M-STR	500	Manual	1600	550	1980/2120	1910 x 1630	1140 x 120	320	650	470	1600	90	167	125 Poly	82x45 Poly
ST-VOY-500-1600-E-STR	500	Electric	1600	550	1980/2120	1930 x 1630	1140 x 120	320	650	470	1600	90	201	125 Poly	82x45 Poly
ST-VOY-750-1100-M-STR	750	Manual	1100	550	1480/1620	1950 x 1630	1160 x 150	400	750	520	1600	90	237	125 Poly	82x45 Poly
ST-VOY-750-1100-E-STR	750	Electric	1100	550	1480/1620	1970 x 1630	1160 x 150	400	750	520	1600	90	271	125 Poly	82x45 Poly
ST-VOY-750-1600-M-STR	750	Manual	1600	550	1980/2120	1950 x 1630	1160 x 150	400	750	520	1600	90	249	125 Poly	82x45 Poly
ST-VOY-750-1600-E-STR	750	Electric	1600	550	1980/2120	1970 x 1630	1160 x 150	400	750	520	1600	90	283	125 Poly	82x45 Poly
ST-VOY-1000-1100-M-STR	1000	Manual	1100	550	1480/1620	1950 x 1630	1160 x 150	400	750	520	1600	90	237	125 Poly	82x45 Poly
ST-VOY-1000-1100-E-STR	1000	Electric	1100	550	1480/1620	1970 x 1630	1160 x 150	400	750	520	1600	90	271	125 Poly	82x45 Poly
ST-VOY-1000-1600-M-STR	1000	Manual	1600	550	1980/2120	1950 x 1630	1160 x 150	400	750	520	1600	90	249	125 Poly	82x45 Poly
ST-VOY-1000-1600-E-STR	1000	Electric	1600	550	1980/2120	1970 x 1630	1160 x 150	400	750	520	1600	90	283	125 Poly	82x45 Poly



Attachments:

	Code	A	B	C	D	E	Detail
A	Steel Platform						
	ST-VOY-AT-PLAT	550	550	75	-	-	300 KG model
	ST-VOY-AT-500-PLAT	1000	550	75	-	-	500 KG model
	ST-VOY-AT-HD-PLAT	1000	550	75	-	-	750 & 1000 KG models
B	Roller Platform						
	ST-VOY-AT-300-TRAY	550	550	150	-	-	300 KG model
	ST-VOY-AT-500-RP	1000	550	150	-	-	500 KG model
	ST-VOY-AT-HD-RP	1000	550	150	-	-	750 & 1000 KG models
C	Steel Platform & Tray						
	St-VOY-AT-300-TRAY	550	400	80	300	550	300 KG model
	ST-VOY-AT-500-TRAY	1000	400	80	300	550	500 KG model
	ST-VOY-AT-HD-TRAY	100	400	80	300	550	750 & 1000 KG models
D	Jib Attachment						
	ST-VOY-AT-300-JIB	300	50	-	-	-	300 KG model
	ST-VOY-AT-500-JIB	600	50	-	-	-	500 KG model
	ST-VOY-AT-750-JIB	600	50	-	-	-	750 KG model
	ST-VOY-AT1000-JIB	600	50	-	-	-	1000 KG model
E	Boom Attachment						
	ST-VOY-AT-300-BOOM	400	50	-	-	-	300 KG model
	ST-VOY-AT-500-BOOM	600	50	-	-	-	500 KG model
	ST-VOY-AT-750-BOOM	600	50	-	-	-	750 KG model
	ST-VOY-AT-1000-BOOM	600	50	-	-	-	1000 KG model
F	Drum and Reel Carrier						
	ST-VOY-AT-300-REEL	400	350	50	-	-	300 KG model
	ST-VOY-AT-500-REEL	600	350	50	-	-	500 KG model
	ST-VOY-AT-750-REEL	600	350	50	-	-	750 KG model
	ST-VOY-AT-1000-REEL	600	350	50	-	-	1000 KG model
G	Drum Clamp						
	ST-VOY-AT-CLAMP	550	-	-	-	-	300, 500 & 750 KG models

